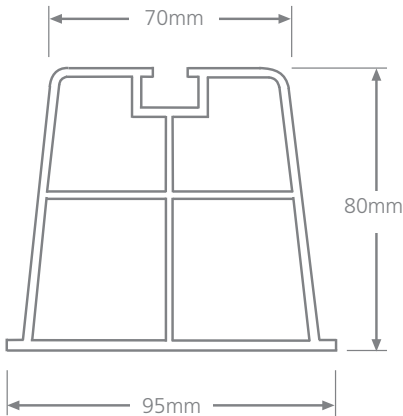


# Condensing Unit Blocks

Part no: SB 450mm B6658 / SB 1000mm B6659

## Dimensions:



## Other Features:

- 2 lengths available:  
450mm & 1000mm
- 450mm (12 per box)  
including fixings
- 1000mm (2 per box)  
including fixings
- Adapts to all units
- Material: PVC shock resistant  
-40°C to 60°C
- Maximum load 250kg on  
one point



**The Condensing Unit Blocks adapt to all units and are available in two lengths, 450mm and 1000mm.**

The Condensing Unit Blocks will take up to a maximum load of 250kg on one point, material PVC shock resistant -40°C to 60°C.